

RELIABILITY IS OUR MISSION

Hpure Lubricant is a reputable lubricants manufacturer and a public-listed company based in Singapore, which specializes in producing high quality and well-engineered lubricants for your business needs. We are equipped with laboratories and experts to ensure product excellence and meeting ASTM standards.

PERFORMANCE IN OUR PRODUCTS

Hpure Lubricant offers a range of quality lubricant products for Automotive, Industrial, Marine, Specialty Fluids, Metal Working Fluids, Aftermarket and Grease. We are licensed by EOLCS of the American Petroleum Institute (API) and equipped with advanced formulation of Group 2 Hydrotreated Base Oil for your business needs.

VALUE IS OUR PRINCIPAL

Hpure Lubricant is committed to provide our customers with competitively priced products. We believe by giving the ultimate value, it shall enable our customers to remain profitable in their business and delivers extra value for every dollar spent. Likewise, our products are endorsed by major OEMs such as Cummins, MTU, Volvo, BMW, VW, Daimler, Porsche, etc.

Contact us

SINGAPORE
14 Tuas Drive 2, Singapore 638647
Tel: +65 6861 1157
Fax: +65 6861 3101

Authorized Distributor:

bizSAFE

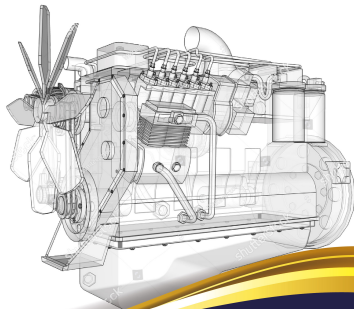


www.hpure-lube.com



HEAVY-DUTY ENGINE OILS

Performance Lubricants from Class Leading Oil & Gas Technology



Product of Singapore

DIESEL ENGINE OILS

OPTIMA PREMIUM SERIES



Optima Premium Series range uses high quality fully synthetic base oils which have naturally high viscosity index & superior thermo-stability to meet the highest API specifications.

MEET THE REQUIREMENTS OF

Product	Requirement Specifications
Optima DX9	ACEA E7-E2, E9-E2, CAT EOP-1, Cummins CES 33061, 33066, 33067, Detroit Diesel DDCK16216, DDCK16217, DDCK16218, Shell ROT-111-18A, Ford WSS-M2C771-E, M2C771-F1, Mack EO-O Premium Plus, 43, MAN 2777, 9375, MB 228.31, MTU 3.1, Renault VR RD-3, RLS-4, Volvo VDS-4, 4-3
Optima DX8	ACEA E7-E2, E9-E2, MB 228.51, 228.51, MAN M347, M375, M 375.1, MTU Caterpillar 3.1.2.1, Volvo VDS-4, Detroit Diesel DDCK16, Scania Low Ash/A-2, Mack EO-O Premium Plus, Renault RLS-3, RLS-2, Cummins CES2066, Caterpillar EC-3, Deutz DGC-9-50 LA, IAGQ 9M-2
Optima DX8 Euro	ACEA E5, Mack EO-O Premium Plus, MB 228.31, Global DHD-1, Caterpillar EC-2, MTU Type 1, Detroit Diesel 342C16, Renault RLS-3, Volvo VDS-4, MAN 270, IAGQ 9M-1, Caterpillar EC-3, MTU Type 1, CUMMINS 2066

ENGINE VALUE DECK

(Product Application)



Other Product

Optima Premium Series

ENGINE PISTON

(Product Application)



Other Product

Optima Premium Series

OPTIMA PREMIUM SERIES - SAE VISCOSITY & API GRADE

Product Grade	DX9	DX8	DX8 EURO
SAE Grade	10W-30 10W-40 15W-40	10W-40	5W-30 5W-40
API Grade	CJ-4/SN	CK-4/SN	CJ-4/SN

PRODUCT CHARACTERISTICS

- Achieved with Highest API Specs CK-4/SN
- Using the Highest Quality Synthetic Base Oils
- Meet EURO V & VI Emission Requirements
- Protect Engine & Reduce Component Wear



DIESEL ENGINE OILS

OPTIMA ADVANCE SERIES

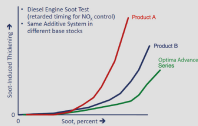


Optima Advance Series range is well formulated with advanced Group 2 base oils with advanced blending technology to achieve low emissions, fuel economy and extended drain capability.

MEET THE REQUIREMENTS OF

Product	Requirement Specifications
Optima D9	Alison CA MB 228.31, ACEA E7-E9-06, Cummins CES 2066, Volvo VDS-4, Caterpillar EC-2, 90-162-2, Man M3275, Mack EO-Plus Plus, MTU Cat-2, Detroit Diesel DDCK16216, DDCK16217
Optima D8	Alison C-4, ACEA A3/MA MB 228.3, Mack EO-Plus Plus, Caterpillar EC-3, JACO D4-L, Renault RLS/RLD-2, VOLVO VDS-3, MAN 270 / 271, CUMMINS 2076, GLESEA DHD-1, VW 505
Optima D6	ACEA E5-03, Cummins CES2076, MB 228.1/228.3, MAN M3275, MAN 270/271, Mack Cat/Cat2, Volvo VDS-2
Optima D5	Alison C-3C-4, ACEA E1-96/95, MB 228.0/228.1, VW-4-200C, Kubota M-1402, MAN 270, Caterpillar TO-3, MTU Type 1
Optima D3	Alison C-4C-6, ACEA E1-87/91, MTU Type 1, MB 228.0, Caterpillar TO-2, MAN 270, VW-1216C

BASE OILS SOOT TEST



OPTIMA ADVANCE SERIES - SAE VISCOSITY & API GRADE

Product Grade	D9	D8	D6	D5	D3
SAE Grade	10W-30 15W-40	15W-40 15W-50 20W-50	15W-40 15W-50 20W-50	SAE 40 10W-30 15W-40 20W-50	15W-40 20W-50
API Grade	CK-4/SN	CJ-4/SN	CI-4/SL	CF-4/SG	CF/CF-2/SF

PRODUCT CHARACTERISTICS

- Formulated with Advanced Group 2 Base Oils
- Designed for Less Emission of Heavy-Duty Engines
- Enhance Oil Drain Capability
- Good Engine Thermal Control & Oil Consumption

